

APPROXIMATE CAPACITIES AT 4' LIQUID DEPTH*			
Inside Width (ft)	Inside Length (ft)	Storage Volume (gal)	Peak Capacity (gpm)
6	12	2,150	180
4	16	1,800	100
4	5	600	50

* Actual basin sizing shall be determined by the peak capacity and the criteria listed below.

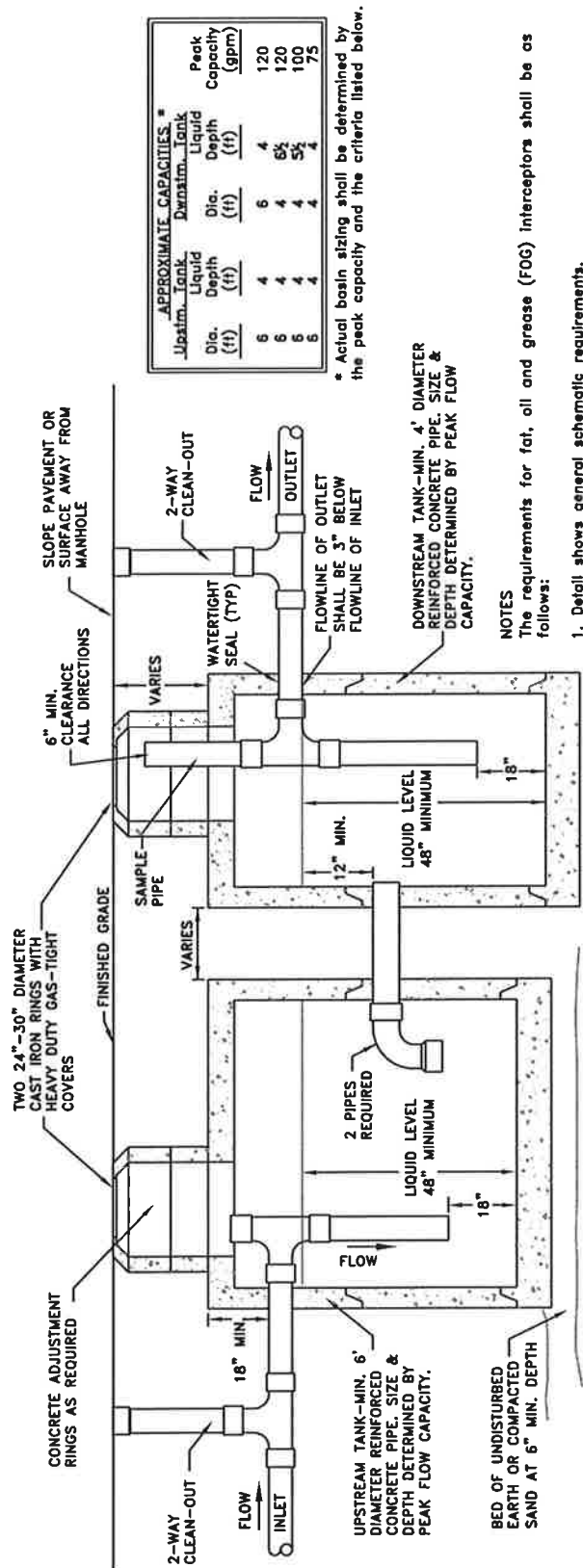
NOTES

The requirements for fat, oil and grease (FOG) interceptors shall be as follows:

1. Detail shows general schematic requirements.
2. Contractor shall submit installation plans and specifications to the City of Jasper for approval before purchasing materials.
3. Contractor shall provide an interceptor designed to adequately accommodate the traffic loads anticipated for the location.
4. All piping shall be designed to handle peak flows under gravity conditions but not less than 6" diameter.
5. The FOG interceptor must be constructed in accordance with the current plumbing codes adopted by the City of Jasper, as amended, and installed in a manner acceptable to the City of Jasper (no exceptions).
6. The interceptor shall have two compartments with a total retention time of no less than twelve minutes at the interceptor's peak flow capacity.
7. While operating at the interceptor's peak flow capacity, the first compartment must provide a retention time of no less than seven minutes, and the second compartment must provide a retention time of no less than five minutes.
8. The flowline of the outlet to the interceptor must be at least 3 inches below the flowline of the inlet to the interceptor.
9. Each interceptor compartment shall be accessible for cleaning and inspection purposes (no exceptions).

Exceptions to certain of these criteria may be considered for approval in conjunction with the Plan Review process. In such cases, engineering drawings and supporting performance data must be submitted to and approved by the City of Jasper prior to FOG interceptor installation..

SCHMATIC OF 1,000 TO 2,000 GALLON CONCRETE BASINS FOR FAT, OIL AND GREASE (FOG) INTERCEPTOR



APPROXIMATE CAPACITIES			
Upstream Tank Dia. (ft)	Upstream Tank Liquid Depth (ft)	Downstream Tank Dia. (ft)	Downstream Tank Liquid Depth (ft)
6	4	6	4
6	4	4	6 1/2
6	4	4	5 1/2
6	4	4	4

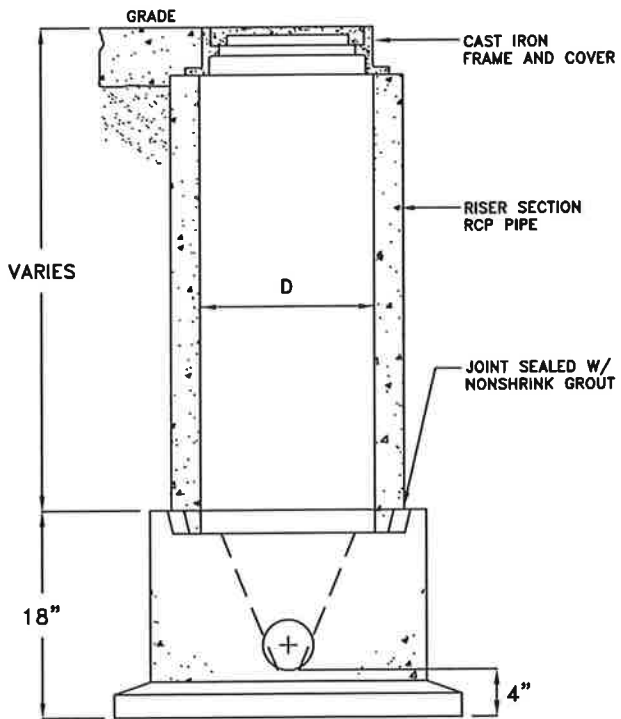
* Actual basin sizing shall be determined by the peak capacity and the criteria listed below.

NOTES

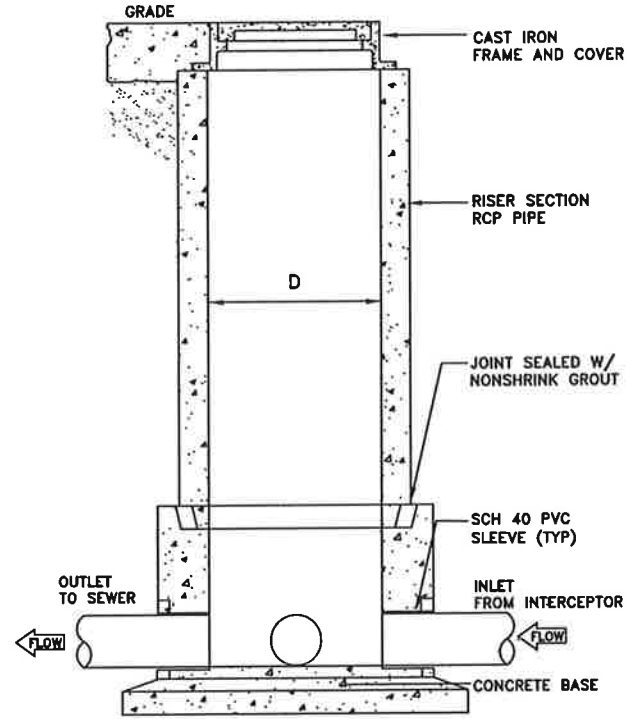
- The requirements for fat, oil and grease (FOG) interceptors shall be as follows:
- Detail shows general schematic requirements.
- Contractor shall submit installation plans and specifications to the City of Jasper for approval before purchasing materials.
- Contractor shall provide an interceptor designed to adequately accommodate the traffic loads anticipated for the location.
- All piping shall be designed to handle peak flows under gravity conditions but not less than 6" diameter.
- The FOG interceptor must be constructed in accordance with the current plumbing codes adopted by the City of Jasper, as amended, and installed in a manner acceptable to the City of Jasper (no exceptions).
- The interceptor shall have two compartments with a total retention time of no less than twelve minutes at the interceptor's peak flow capacity.
- While operating at the interceptor's peak flow capacity, the first compartment must provide a retention time of no less than seven minutes, and the second compartment must provide a retention time of no less than five minutes.
- The flowline of the outlet to the interceptor must be at least 3 inches below the flowline of the inlet to the interceptor.
- Each interceptor compartment shall be accessible for cleaning and inspection purposes (no exceptions).

Exceptions to certain of these criteria may be considered for approval in conjunction with the Plan Review process. In such cases, engineering drawings and supporting performance data must be submitted to and approved by the City of Jasper prior to FOG interceptor installation.

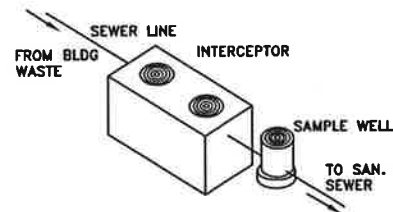
SCHMATIC OF REINFORCED CONCRETE PIPE FOR FAT, OIL AND GREASE (FOG) INTERCEPTOR



PLAN VIEW



SIDE VIEW



PARK ENVIR. EQUIP. MODEL*	DIAMETER "D"	IN & OUT PIPE SIZE	WIDTH "W"
SWB-154	15"	4"	24"
SWB-156	15"	6"	24"
SWB-184	18"	4"	28"
SWB-186	18"	6"	28"
SWB-244	24"	4"	34"
SWB-246	24"	6"	34"

* OR APPROVED EQUAL

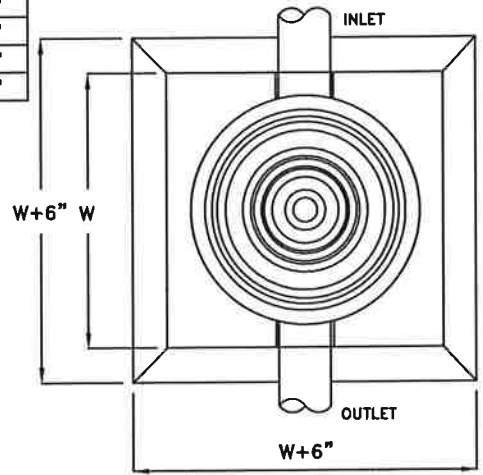
NOTES

1. SAMPLING WELL MUST BE INSTALLED UNDER A SEPARATE PLUMBING PERMIT.
2. USE 15" T&G R.C.P. FOR INSTALLATION 6'-0" DEEP AND LESS.
3. USE 24" T&G R.C.P. FOR INSTALLATION GREATER THAN 6'-0" DEEP. (STD RING AND M.H. COVER REQUIRED)
4. SAMPLING WELL MUST BE SET IN A CIRCULAR OR SQUARE CONCRETE PAD (1'-0" GREATER THAN OUTSIDE DIAMETER OF PIPE.)
5. INSIDE INSTALLATION NOT PERMITTED, WHERE OUTSIDE INSTALLATION IS POSSIBLE.
6. INSTALLATION INSIDE BLDG MUST BE POURED IN PLACE (15" MIN) NO CONCRETE PIPE IS PERMITTED, (AIR-TIGHT COVER REQUIRED.)
7. LAWN INSTALLATION MUST BE 4" ABOVE FINISHED GRADE.
8. DRIVE & SIDEWALK INSTALLATION MUST BE BROUGHT TO FINISHED GRADE.
9. TO BE INSTALLED ON PRIVATE PROPERTY, IN AN ACCESSIBLE LOCATION TO CITY PERSONNEL.

SPECIFICATIONS

CONCRETE : Class 1 concrete with a design strength of 4500 PSI at 28 days. Unit is of monolithic construction at floor and first stage of wall with sectional riser to required depth.

C.I. CASTINGS: Cast iron frames and grates are manufactured of grey cast iron conforming to ASTM A48-76 Class 30, Heavy-Duty AASHTO H-20



PLAN VIEW

CITY OF JASPER
PUBLIC WORKS DEPARTMENT
P. O. BOX 610
JASPER, TEXAS 75951
PHONE (409) 383 2214

SANITARY SEWER STANDARDS

SAMPLE WELL BASIN
by
PARK ENVIRONMENTAL
EQUIPMENT

21A

Nov., 2013